



## LM386

## LINEAR INTEGRATED CIRCUIT

### LOW VOLTAGE AUDIO POWER AMPLIFIER

#### DESCRIPTION

The UTC **LM386** is a power amplifier, designed for use in low voltage consumer applications. The gain is internally set to 20 to keep external part count low, but the addition of an external resistor and capacitor between pin 1 and pin 8 will increase the gain to any value up from 20 to 200.

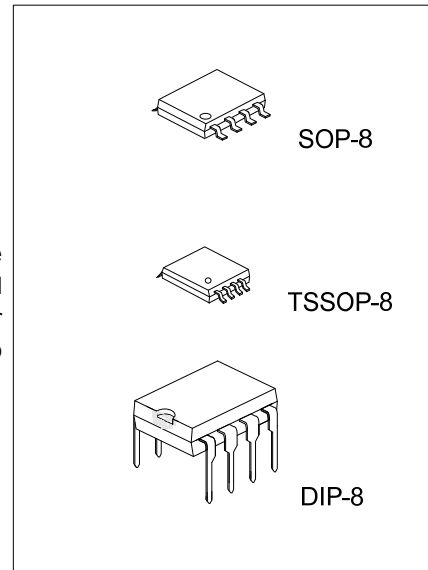
The inputs are ground referenced while the output automatically biases to one-half the supply voltage. The quiescent power drain is only 24 milliwatts when operating from a 6 voltage supply, making the LM386 ideal for battery operation.

#### FEATURES

- \*Battery Operation
- \*Minimum External Parts
- \*Wide Supply Voltage Range: 4V~12V
- \*Low Quiescent Current Drain:4mA
- \*Voltage Gains:20~200
- \*Ground Referenced Input
- \*Self-Centering Output Quiescent Voltage
- \*Low Distortion:0.2%( $A_v = 20, V_s = 6V, R_L = 8\Omega, P_o = 125mW, f = 1kHz$ )

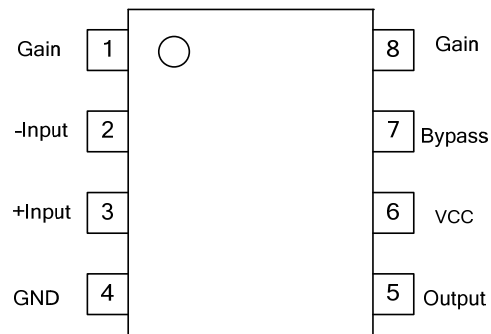
#### ORDERING INFORMATION

Ordering Number			Package	Packing
Normal	Lead Free	Halogen Free		
LM386-S08-R	LM386L-S08-R	LM386G-S08-R	SOP-8	Tape Reel
LM386-S08-T	LM386L-S08-T	LM386G-S08-T	SOP-8	Tube
LM386-P08-R	LM386L-P08-R	LM386G-P08-R	TSSOP-8	Tape Reel
LM386-P08-T	LM386L-P08-T	LM386G-P08-T	TSSOP-8	Tube
LM386-D08-T	LM386L-D08-T	LM386G-D08-T	DIP-8	Tube

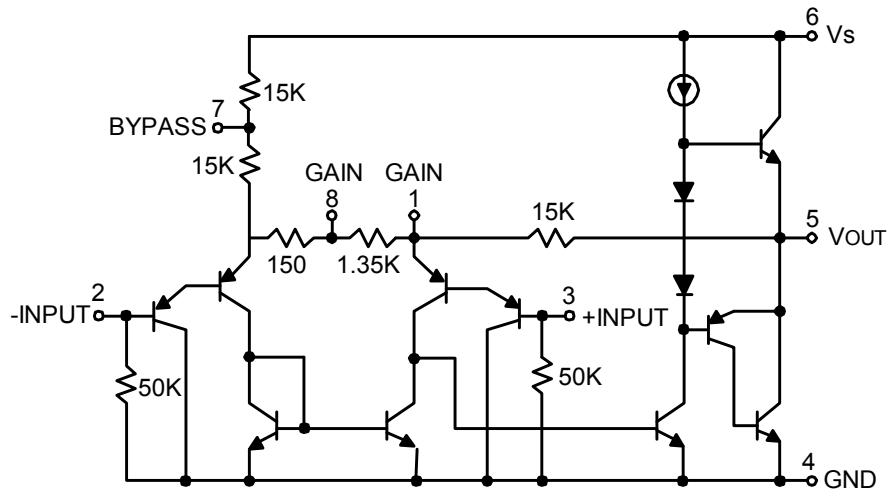


<p>LM386G-D08-T</p> <p>(1)Packing Type (2)Package Type (3)Halogen Free</p>	<p>(1) R: Tape Reel, T: Tube (2) S08: SOP-8, P08: TSSOP-8, D08: DIP-8 (3) G: Halogen Free, L: Lead Free, Blank: Pb/Sn</p>
--	---

### ■ PIN CONFIGURATION



■ BLOCK DIAGRAM



■ ABSOLUTE MAXIMUM RATINGS

PARAMETER		SYMBOL	RATINGS	UNIT
Supply Voltage		$V_{CC}$	15	V
Input Voltage		$V_{IN}$	-0.4V ~ +0.4V	V
Power Dissipation	DIP-8	$P_D$	1250	mW
	SOP-8		600	
	TSSOP-8		600	
Operating Temperature		$T_{OPR}$	-20 ~ +85	°C
Junction Temperature		$T_J$	+125	°C
Storage Temperature		$T_{STG}$	-40 ~ +150	°C

Note:1. Absolute maximum ratings are stress ratings only and functional device operation is not implied. The device could be damaged beyond Absolute maximum ratings.

■ ELECTRICAL CHARACTERISTICS (Ta=25°C, unless otherwise specified.)

PARAMETER	SYMBOL	TEST CONDITIONS	MIN	TYP	MAX	UNIT
Operating Supply Voltage	$V_{SS}$		4		12	V
Quiescent Current	$I_Q$	$V_{SS}=6V, V_{IN}=0$		4	8	mA
Output Power	$P_{OUT}$	$V_{SS}=6V, R_L=8\Omega, THD=10\%$	250	325		mW
		$V_{SS}=9V, R_L=8\Omega, THD=10\%$	500	700		
Voltage Gain	$G_V$	$V_{SS}=6V, f=1kHz$ 10 $\mu$ F from pin 1 to pin 8		26		dB
				46		
Bandwidth	BW	$V_{SS}=6V$ , Pin1 and pin 8 open		300		kHz
Total Harmonic Distortion	THD	$P_{OUT}=125mW, V_S=6V, f=1kHz$ $R_L=8\Omega$ pin1 and pin 8 open		0.2		%
Rejection Ratio	RR	$V_{SS}=6V, f=1kHz, C_{BYPASS}=10\mu F$ pin1 and pin 8 open, Referred to output		50		dB
Input Resistance	$R_{IN}$			50		k $\Omega$
Input Bias Current	$I_{BIAS}$	$V_{SS}=6V$ Pin2 and pin 3 open		250		nA

## ■ APPLICATION NOTES

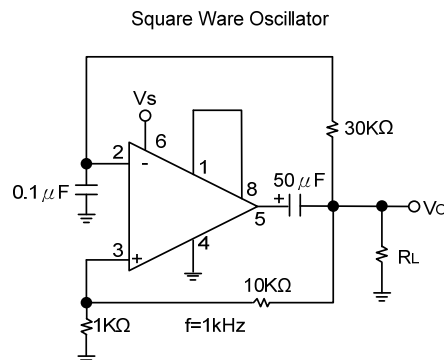
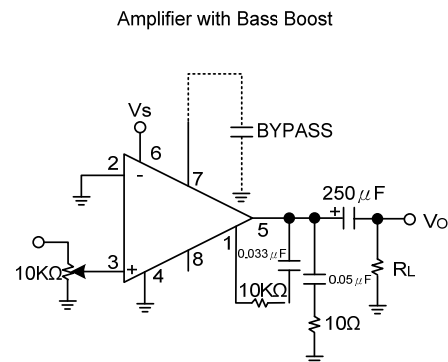
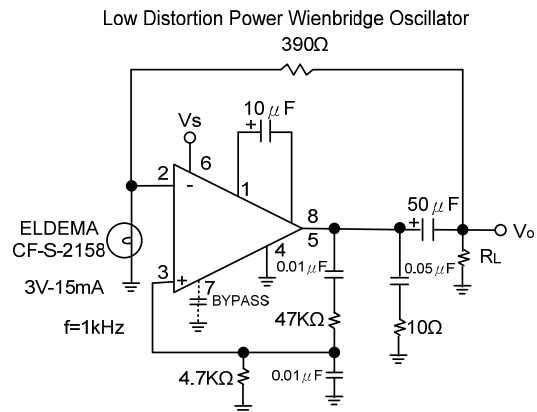
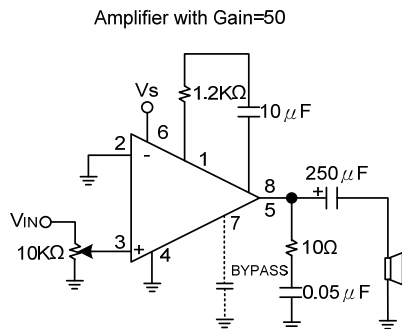
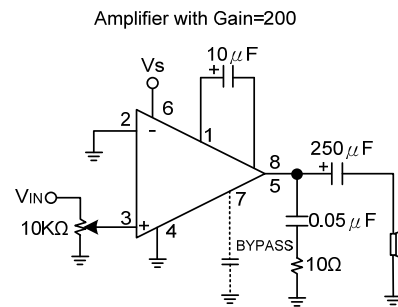
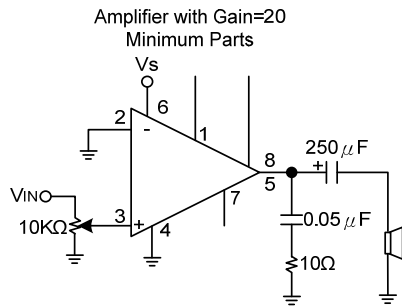
**GAIN CONTROL**

To make the LM386 a more versatile amplifier, two pins(1 and 8) are provided for gain control. With pins 1 and 8 open the 1.35 k $\Omega$  resistor sets the gain at 20(26dB).If a capacitor is put from pin 1 to 8,bypassing the 1.35 k $\Omega$  resistor, the gain will go up to 200(46dB).If a resistor is placed in series with the capacitor, the gain can be set to any value from 20 to 200.Gain control can also be done by capacitively coupling a resistor (or FET) from pin 1 to ground. Additional external components can be placed in parallel with the internal feedback resistors to tailor the gain and frequency response for individual applications. For example we can compensate poor speaker bass response by frequency shaping the feedback path. This is done with a series RC from pin 1 to 5 (paralleling the internal 15 k $\Omega$  resistor). For 6 dB effective bass boost: R=15 k $\Omega$ , the lowest value for good stable operation is R=10 k $\Omega$ , if pin 8 is open, If pins 1 and 8 are bypassed then R as low as 2 k $\Omega$  can be used. This restriction is because the amplifier is only compensated for closed-loop gains greater than 9.

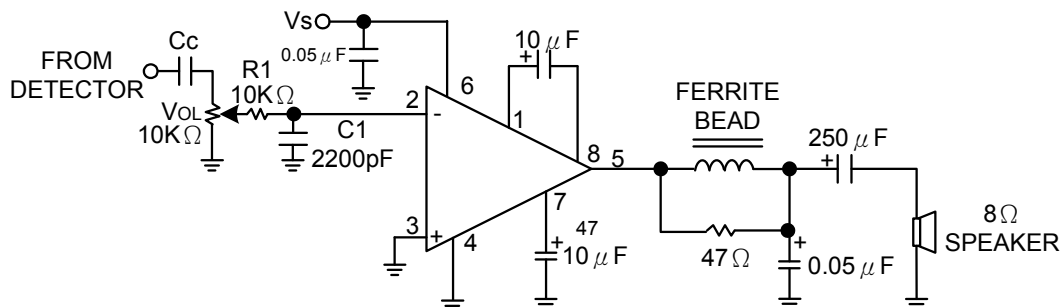
**INPUT BIASING**

The schematic shows that both inputs are biased to ground with a 50 k $\Omega$  resistor. The base current of the input transistors is about 250nA, so the inputs are at about 12.5mW when left open. If the dc source resistance driving the LM386 is higher than 250 k $\Omega$  it will contribute very little additional offset (about 2.5mV at the input, 50mV at the output).If the dc source resistance is less than 10 k $\Omega$ ,then shorting the unused input to ground will keep the offset low (about 2.5mV at the input,50 mV at the output).For dc source resistances between these values we can eliminate excess offset by putting a resistor from the unused input to ground, equal in value to the dc source resistance. Of course all offset problems are eliminated if the input is capacitively coupled. When using the LM386 with higher gains (bypassing the 1.35 k $\Omega$  resistor between pins 1 and 8)it is necessary to bypass the unused input, preventing degradation of gain and possible instabilities. This is done with a 0.1 $\mu$ F capacitor or a short to ground depending on the dc source resistance on the driven input.

## TYPICAL APPLICATIONS CIRCUIT

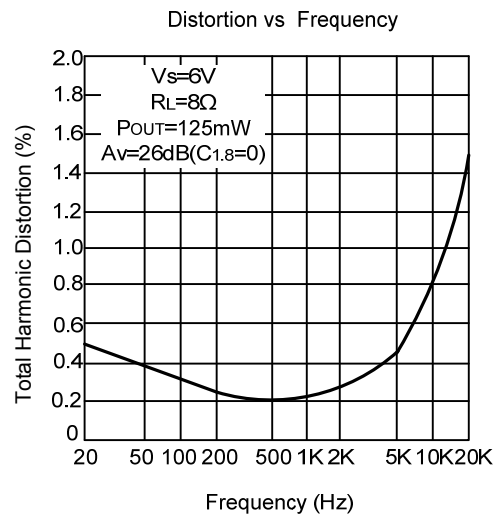
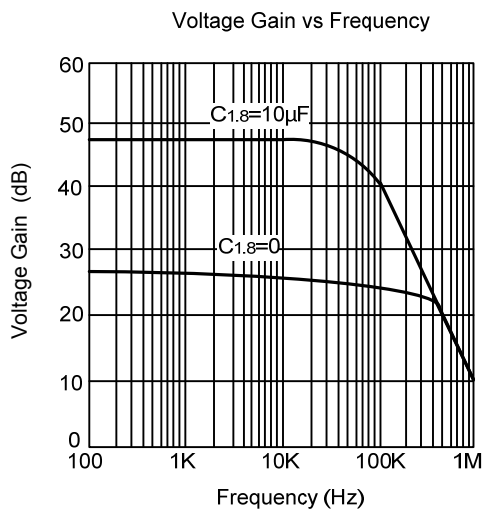
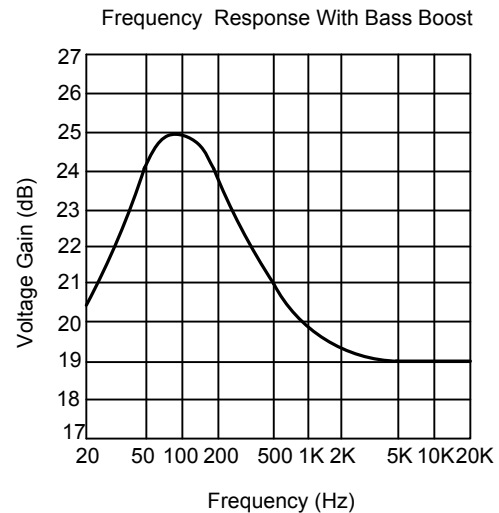
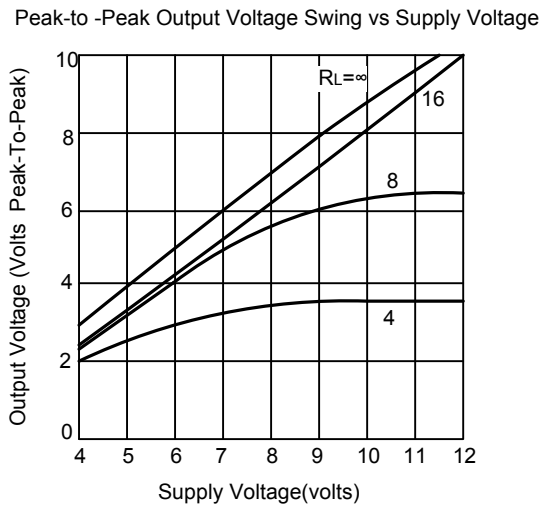
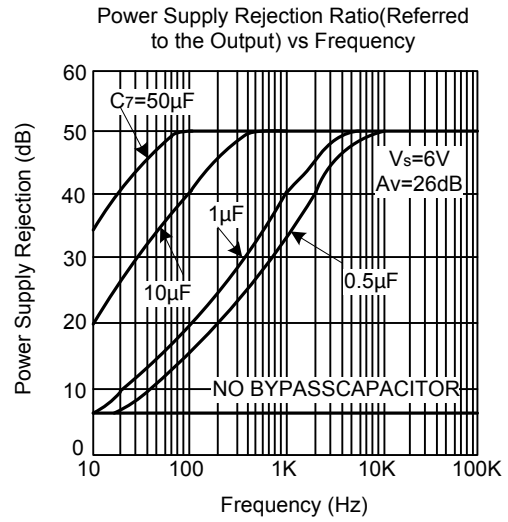
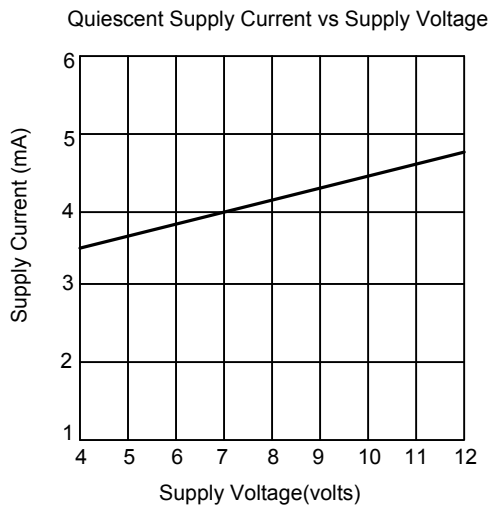


### AM Radio Power Amplifier

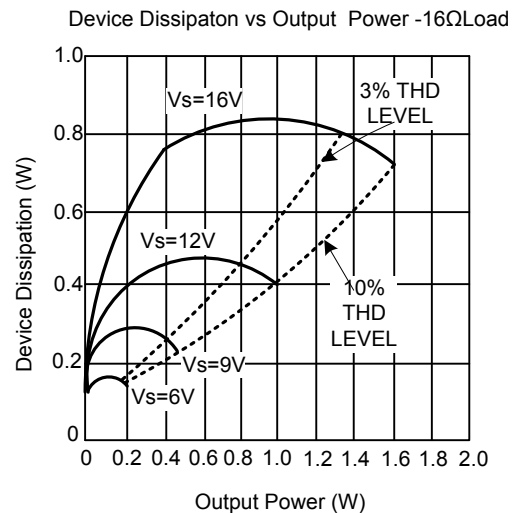
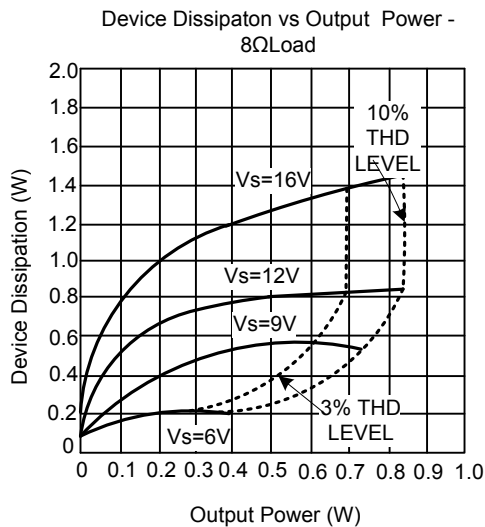
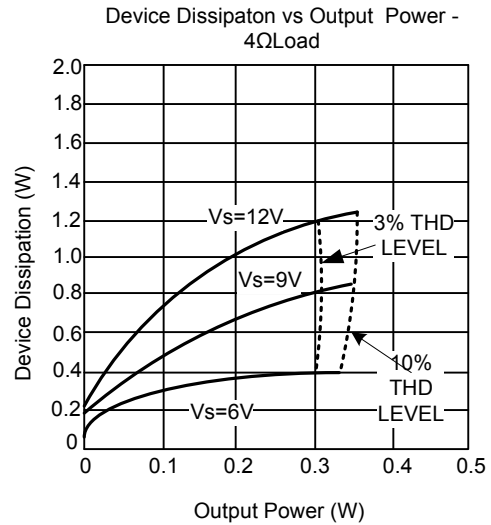
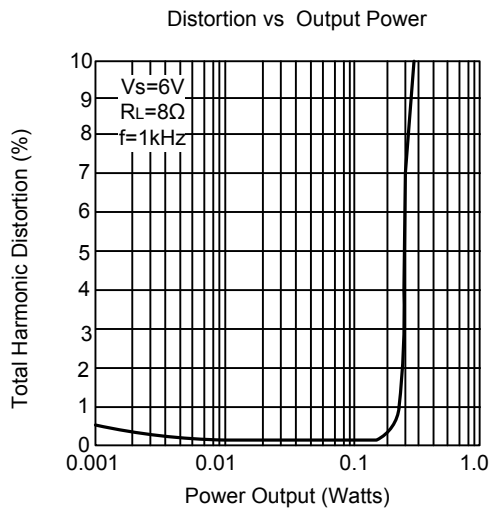


- Note 1: Twist Supply lead and supply ground very tightly.
- Note 2: Twist speaker lead and ground very tightly.
- Note 3: Ferrite bead in Ferroxcube K5-001-001/3B with 3 turns of wire.
- Note 4: R1C1 band limits input signals.
- Note 5: All components must be spaced very closely to IC.

## TYPICAL CHARACTERISTICS



## ■ TYPICAL CHARACTERISTICS(cont.)



UTC assumes no responsibility for equipment failures that result from using products at values that exceed, even momentarily, rated values (such as maximum ratings, operating condition ranges, or other parameters) listed in products specifications of any and all UTC products described or contained herein. UTC products are not designed for use in life support appliances, devices or systems where malfunction of these products can be reasonably expected to result in personal injury. Reproduction in whole or in part is prohibited without the prior written consent of the copyright owner. The information presented in this document does not form part of any quotation or contract, is believed to be accurate and reliable and may be changed without notice.